



# GENERAL CATALOG







## INDEX

INTRODUCTION	01
STRUCTURAL MANHOLE & CATCH BASIN	03
FRP MOULD	03
FRP LADDER & LADDER WITH CAGE	04
LINER-DIFFERENT DIAMETERS	04
INSPECTION CHAMBER	05
STORAGE WATER TANK	05
SAND TRAP	06
UNDERGROUND SEPTIC TANK	07
DIESEL STORAGE TANK	07
CARBON FILTER VESSEL	08
FRP SHEET-DIFFERENT TYPE	09
ROOF CURB	09
OIL & GREASE SEPERATOR	10
FOAM CONC CONTAINER	10
FRP FITTINGS (ELBOW 90 DEGREE, EQUAL TEE, SHORT PIPE WITH FLANGE, TEE WITH FLANGE)	11
WAFFLE MOULD	12
RIB MOULD	12
ADAPTOR	13
MANHOLE COVER & COVER SLAB	13
MARKER POST	14
FIRE BOX	14
PORTABLE TOILET	15
INTERIOR FRAME FOR SHIP WINDOW	15
TRENCH DRAIN	16
HEATER COVER	16
FLAP VALVE	17
SCBA CABINET	17
TECHNO FACTORY APPROVALS	18
OUR CUSTOMERS	19



## INTRODUCTION

Technogroup a full - fledged industrial group set up its first manufacturing unit during 1998 in the name of “Techno Fiber” - Technical Factory for Fiberglass Products. As the country is moving on a fast track towards infrastructure development, the demand for construction related materials is high. Considering the momentum, we decided to expand our existing products range as follows

- Fiberglass Metering cabinets for electrical and water.
- Fiberglass sewerage items.
- Fiberglass Tanks and vessels.
- Fabrication of fiber hangers, gratings, tanks
- and vessels etc.

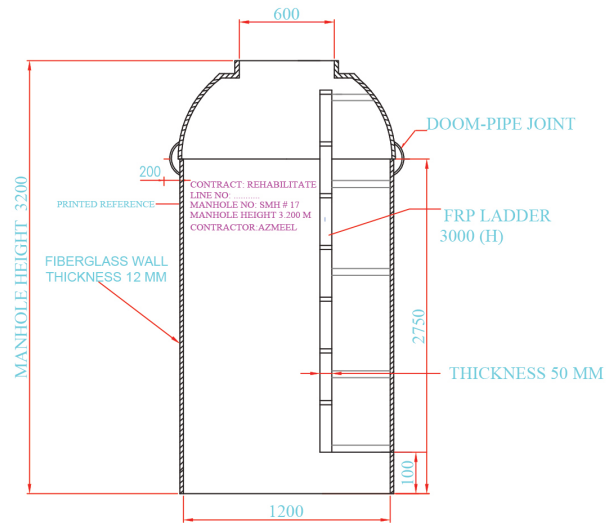
In Techno Factory Contact Molding Department (CMD), a variety of products are manufactured using state of the art technologies. We work close with our customers and make products according to their requirements. With our high quality products we gained trust of many stakeholders such as Saudi Arabian Oil Company (ARAMCO), Royal Commission for Yanbu and Jubail, Ministry of Environment, Water and Agriculture, Ministry of Municipal and Rural Affairs and Ministry of Housing.



# TECHNO FACTORY PRODUCTS



## STRUCTURAL MANHOLE & CATCH BASIN



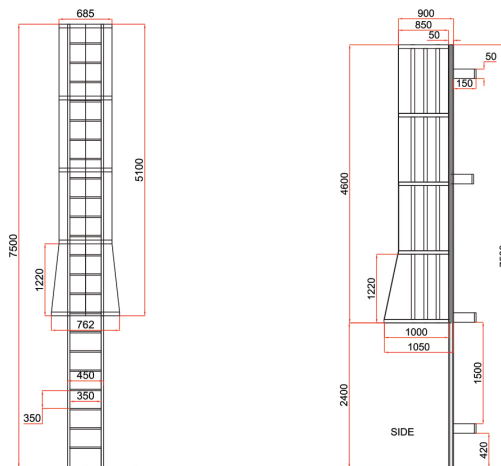
STRUCTURAL MANHOLE Item code	41 04 09	Application	Sewage Projects
CATCH BASIN Item code	41 04 10	Application	Rain Water Drainage
Material	GRP	Approval	SAUDI ARABIAN OIL COMPANY , ROYAL COMMISSION , MIINSTRY OF ENVIRONMENT WATER & AGRICULTURE , EASTERN PROVINCE MUNICIPALITY

## FRP MOULD



Application	Foundation for Precast Wall – Footing Boundary Wall	Material	Fiberglass Reinforced Polyester
-------------	---	----------	---------------------------------

## FRP LADDER & LADDER WITH CAGE



Item code	41 03 07	Material	GRP
Application	Construction & Industries	Approval	ROYAL COMMISSION FOR JUBAIL & YANBU

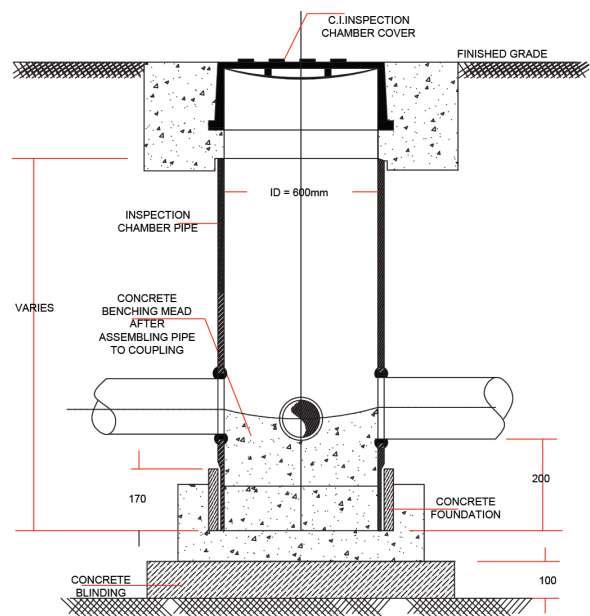
## LINER-DIFFERENT DIAMETERS

Item code	41 06 07
Material	GRP
Application	Sewage Projects & Rain water drainage
Approval	MIINSTRY OF ENVIRONMENT WATER & AGRICULTURE , EASTERN PROVINCE MUNICIPALITY



## INSPECTION CHAMBER

Item code	41 00 01
Material	GRP
Application	Sewage Projects
Approval	MIINSTRY OF ENVIRONMENT WATER & AGRICULTURE , EASTERN PROVINCE MUNICIPALITY





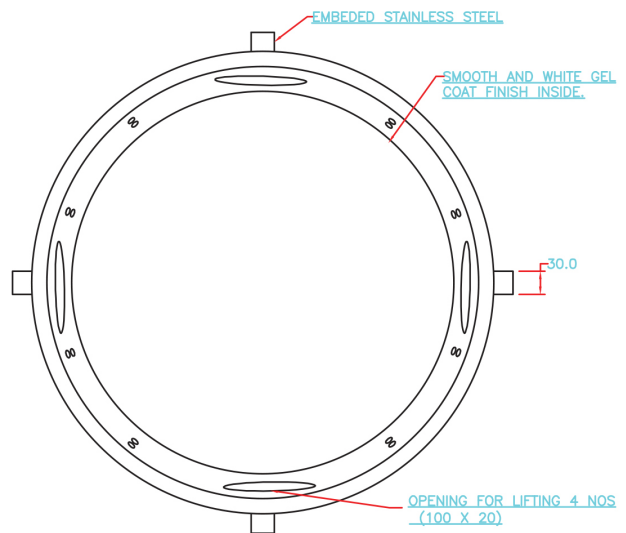
## STORAGE WATER TANK

Item code	42 00 61
Material	GRP
Approval	SAUDI ARABIAN OIL COMPANY



## SAND TRAP

Item code	41 03 02
Material	GRP
Application	Sewage Projects & Rain water drainage
Approval	MIINSTRY OF ENVIRONMENT WATER & AGRICULTURE , EASTERN PROVINCE MUNICIPALITY



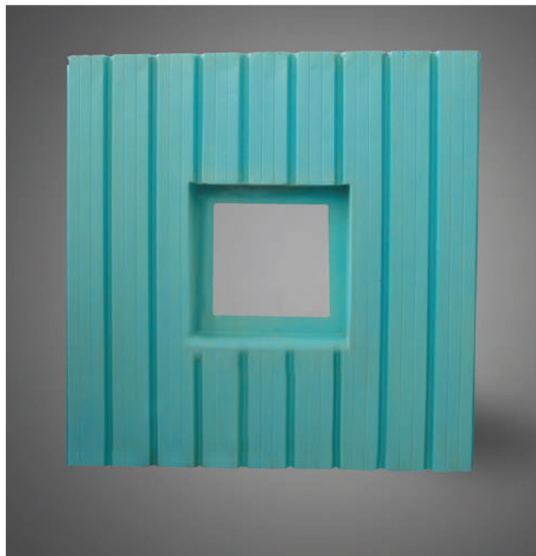
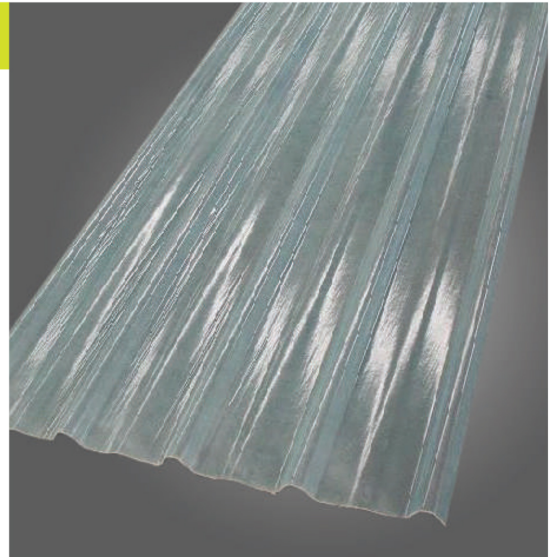
## CARBON FILTER VESSEL



Item code	42.00.30	Material	GRP	Application	Sewage Treatment Plant
-----------	----------	----------	-----	-------------	------------------------

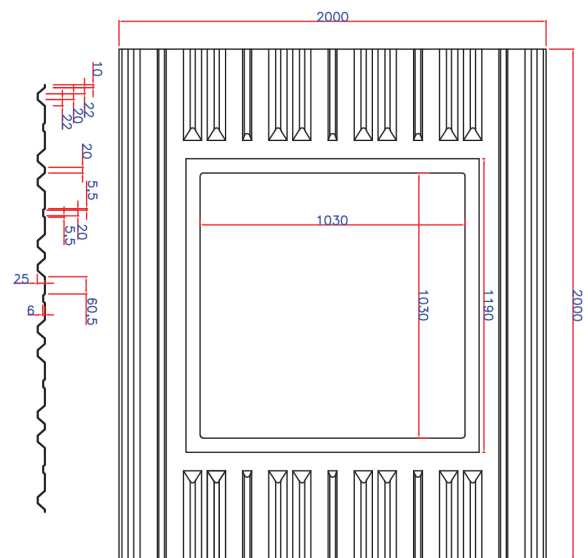
## FRP SHEET-DIFFERENT TYPE

Item code	41 06 56
Material	GRP
Application	Construction & Industries



## ROOF CURB

Item code	11 09 01
Material	GRP
Application	Fan Installation Base





## OIL & GREASE SEPERATOR

Item code	41 10 31
Material	GRP
Application	Sewage Projects



## FOAM CONC CONTAINER

Application	Safety system
Material	GRP

FRP FITTINGS (ELBOW 90 DEGREE, EQUAL TEE, SHORT PIPE WITH FLANGE, TEE WITH FLANG)



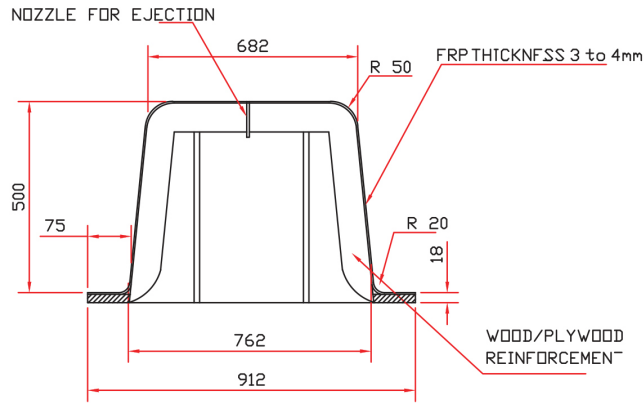
Material

GRP

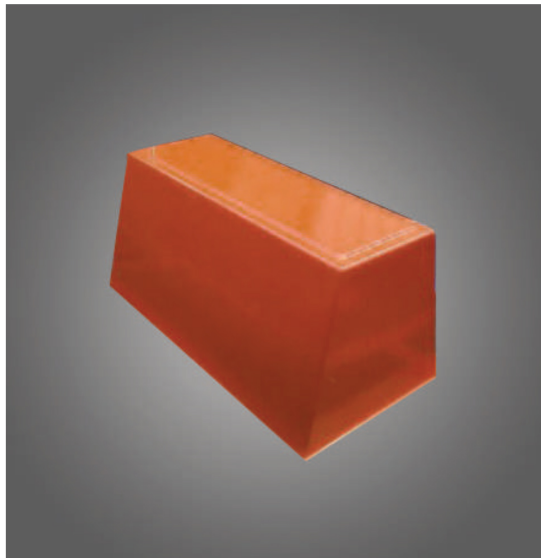
Application

Sewage and Water Projects

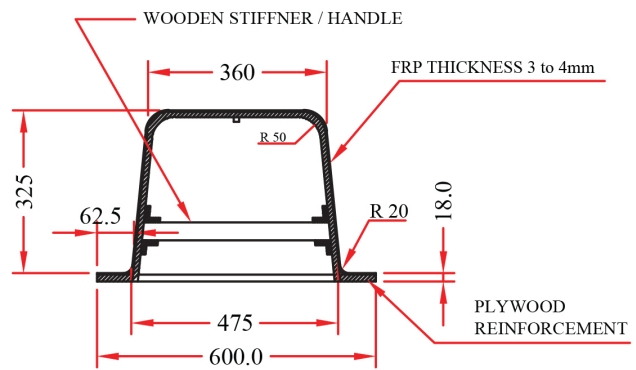
## WAFFLE MOULD



Item code	42 00 23	Material	GRP	Application	Construction Projects
-----------	----------	----------	-----	-------------	-----------------------

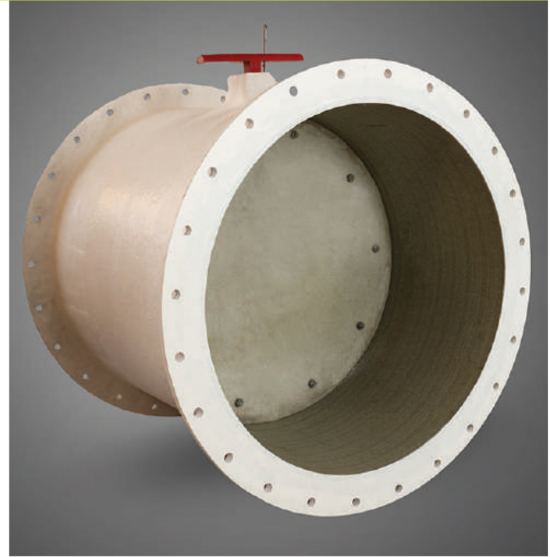
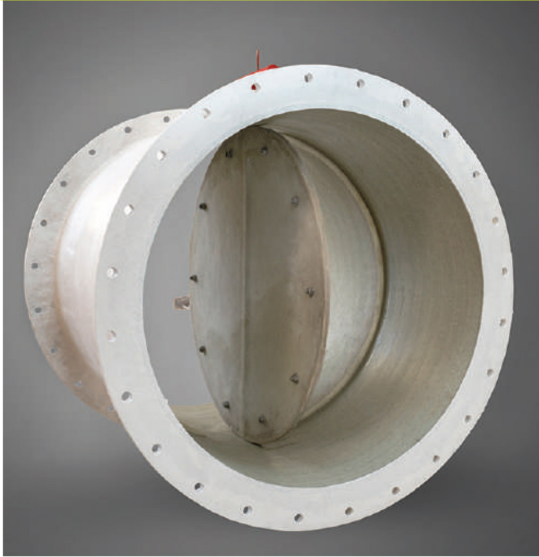


## RIB MOULD



Item code	42 00 16	Material	GRP	Application	Construction Projects
-----------	----------	----------	-----	-------------	-----------------------

## ADAPTOR



Material

GRP

Application

Sewage and Water Projects

## MANHOLE COVER & COVER SLAB



MANHOLE COVER Item code

41 05 01

Application

Sewage Projects & Rain Water Drainage

Material

GRP

Approval

MINISTRY OF ENVIRONMENT WATER & AGRICULTURE,  
EASTERN PROVINCE MUNICIPALITY

## MARKER POST

Application Communication Projects

Material GRP



## FIRE BOX

Application Safety Systems

Material GRP



## PORTABLE TOILET

Item code	41 11 01
Material	GRP
Application	General Projects

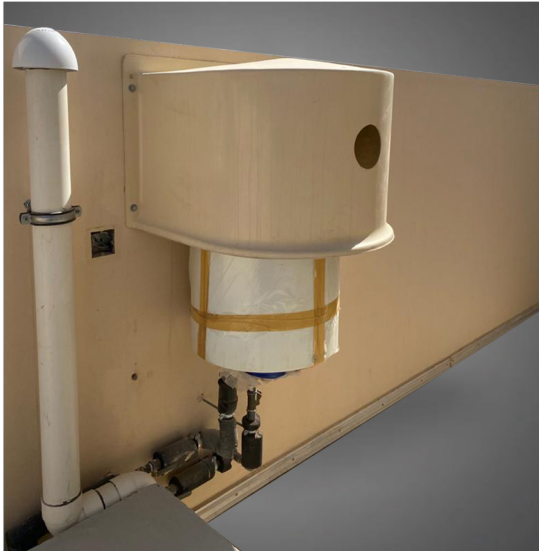


## INTERIOR FRAME FOR SHIP WINDOW

Application	Ship Industries
Material	GRP

## TRENCH DRAIN

Material	GRP
Application	Used in Drainage Channels



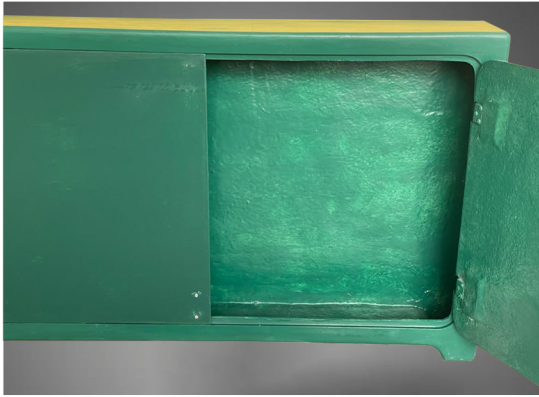
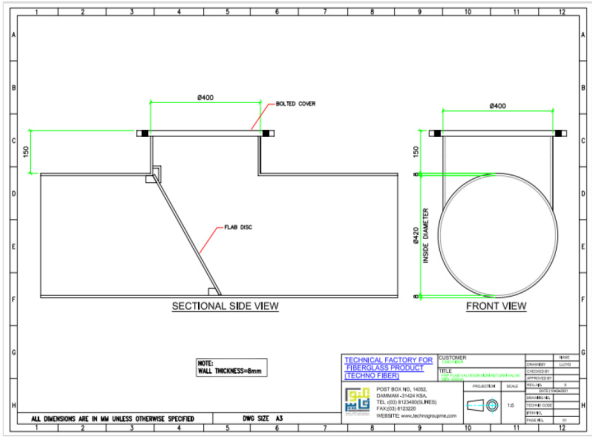
## HEATER COVER

Material	GRP
Application	Cover For Water Heaters



# FLAP VALVE

Material GRP



# SCBA CABINET

Material GRP







## Our Customers



مؤسسة عبدالله المسجل للمقاولات  
ABDULLA AL-MISHAL CONTRACTING EST.



البهوانى  
AL BAWANI



شركة العيونى للاستثمار و المقاولات  
AL-AYUNI INVESTMENT & CONTRACTING CO.



مجموعة كانو  
The Kanoo Group



MNG  
GROUP OF COMPANIES



نسما للمياه و الطاقة  
Nesma Water & Energy



روابي Rawabi  
للمقاولات المتخصصة  
Specialized Contracting

REDA

يوسف بن أحمد كانو  
Yusuf Bin Ahmed Kanoo





Technogroup of Trade and Industries  
63 Street, 2nd Industrial City, Dammam, KSA  
Phone: 00966138123400  
Email: [Info@technogroupme.com](mailto:Info@technogroupme.com)  
[Sales@technogroupme.com](mailto:Sales@technogroupme.com)