



GENERAL CATALOG







GENERAL CATALOG

INDEX

ALUMINUM CLAMPS

Strain Clamp (091)	3
Strain Clamp (092)	4
Straight line Dead –End Clamp (093)	5
Straight line Dead –End Clamp (094)	6
Straight line Dead –End Clamp (096)	7
Straight line Dead –End Clamp (097)	8

ANGLES

Cross Arm (080)	9
-----------------	---

CHANNELS

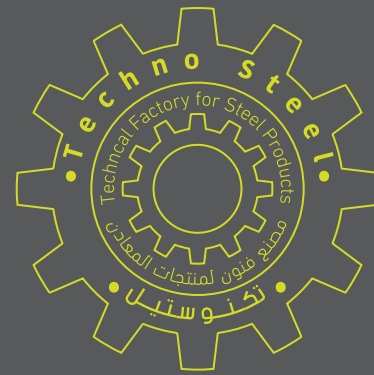
Fuse cut out Mounting channel for H pole (081)	10
Fuse cut out Mounting channel for H pole (211)	11
Transformer Mounting Channel (082)	12
Brace Set for MV Pole (083)	13
Brace Set for Single Pole(228)	14
Suspension Support (067)	15
Earth Wire Support (044)	16

Steel Plates

Double Arming plate (042)	17
---------------------------	----

Steel Brackets

Mounting Bracket (084)	18
Spool Insulator Bracket (085)	19



Stay Clamp

Pole band Stay Clamp	20
----------------------	----

Locking Clip

Buckle locking clip(090)	21
--------------------------	----

Clevis

Clevis Eye Extension (186)	22
----------------------------	----

Steel Plates

Steel plate for Anchor Rod	23
----------------------------	----

ALUMINUM CLAMPS

Steel Clamps	24
Wall Support Steel Clamps	25

Steel Clamps

Through Wall Support Steel Clamps	26
-----------------------------------	----

Steel Ladder	27
--------------	----

Steel grating	28
---------------	----

Lifting Hook & brackets	29
-------------------------	----

SEAL LOCK	30
-----------	----

CABLE LUGS

Cable Lug- copper	32
-------------------	----

Cable Lug- Aluminum	33
---------------------	----

Cable Lug- 630 sqm	34
--------------------	----

Cable Lug- 2 hole	35
-------------------	----

Cable Lug- 4 hole	36
-------------------	----

Sleeve connectors	37
-------------------	----

Reduction Sleeve connectors	39
-----------------------------	----

Sleeve connectors-Aluminum	40
----------------------------	----

Reduction Sleeve connectors-Aluminum	41
--------------------------------------	----



TECHNO STEEL AN INTRODUCTION

TECHNO STEEL is the “Technical factory for steel products” under Techno Group of Trade and Industries located in 2nd industrial city, Dammam. The company is specialized in manufacturing and supply of engineering products in sheet metal, Over Head line Accessories & Aluminum Casting.

We have more than 15 years of experience in Design & Development of high speed progressive press dies and high precision injection molds and compression molds.

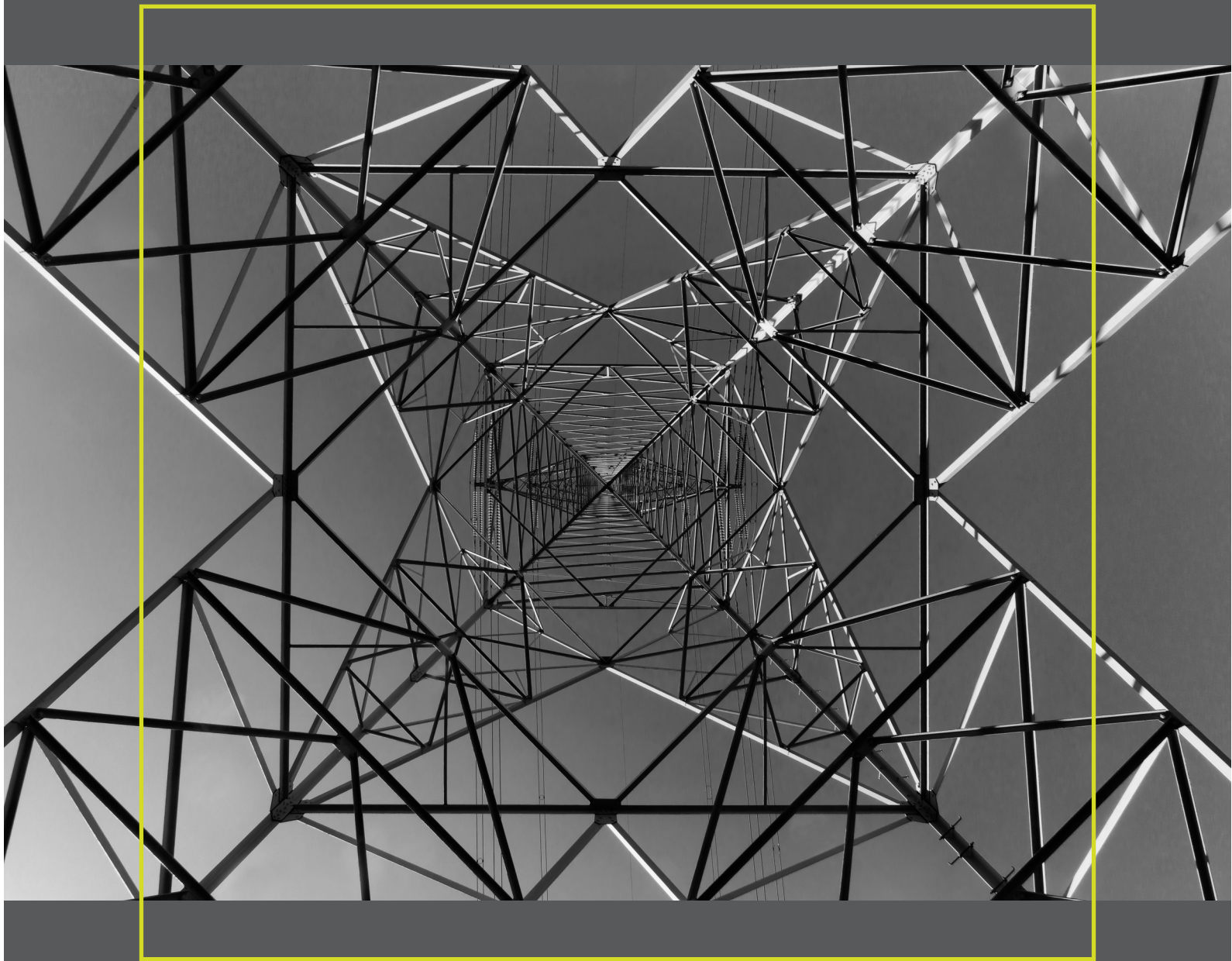
OUR PRODUCTS

1. Over Head Line Accessories
2. Strain clamps, Suspension Clamps, etc.
3. Indoor & outdoor Meter Box Accessories.
4. Copper Bus bars for meter boxes and mini cabinet.

FACTORY

Our production center equipped with more than 15 different types of press machines and large area of Galvanizing plant. We have more than 200 products in production which is used in Electric meter boxes and overhead line accessories, supplied to Saudi Electricity Company. Our galvanizing unit equipped with tin coating plant and zinc passivation unit. We have barrel plating for doing galvanizing of small parts in large volume. We have the capability of producing copper parts, steel and Stainless steel parts in large volume.

Aluminum die casting division is specialized for strain clamps and suspension clamps to meet the technical and commercial requirements of power line transmission inside and outside of kingdom.



Technical Factory
for Steel Products

ALUMINUM CLAMPS

Strain Clamp (091)

Description: Strain clamp 3 U bolt type (QUAIL)

Item code: FP 5000 23

Product range: 36 KN (UTS)

Material: Aluminum Alloy

Material Grade: LM 6

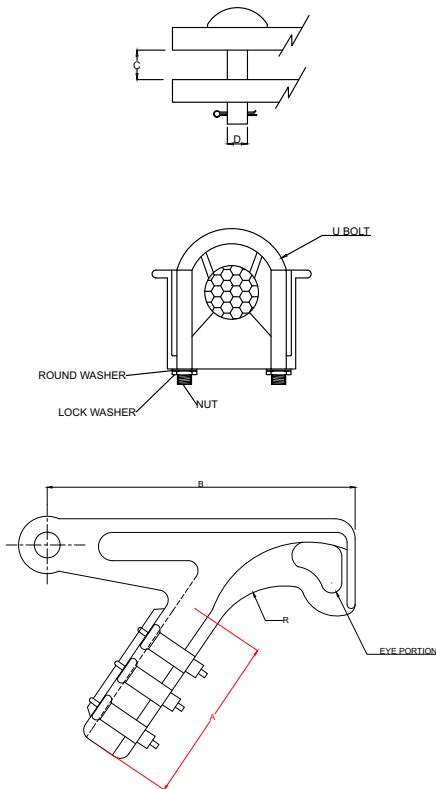
Application: Overhead Line

Approval: Saudi Electricity Company

Finish: Shiny finish for body, Hot Dip Galvanized as per ASTM A 123

Ordered by: Item Code

Strain Clamp
091



Conductor	Conductor Dia	Clamp Dimensions				UTS (KN)
		A	B	C	D	
MERLIN	17.35	187	292	25.4	16	36

Note | All Dimensions are in millimeters |

ALUMINUM CLAMPS

Strain Clamp (092)

Description: Strain clamp 3 U bolt type (Merlin)

Item code : FP 5000 24

Product range: 45 KN (UTS)

Material: Aluminum Alloy

Material Grade : LM 6

Application : Overhead Line

Approval : Saudi Electricity company

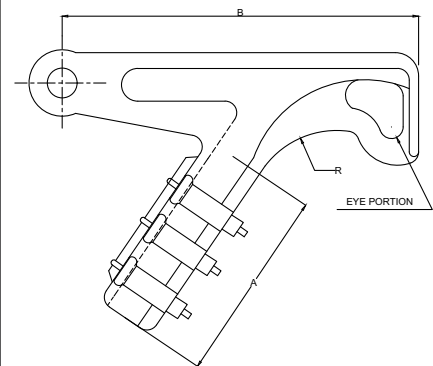
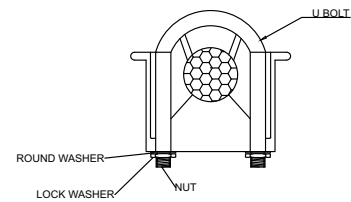
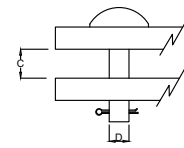
Finish : Shiny finish for body , Hot Dip galvanized as per ASTM A 123

Ordered by : Item Code



Strain Clamp

092



Conductor	Conductor Dia	Clamp Dimensions				UTS (KN)
		A	B	C	D	
MERLIN	17.35	187	292	25.4	16	45

ALUMINUM CLAMPS

Straight line Dead –End Clamp (093)

Description: Strain clamp 2 U bolt type (QUAIL)

Item code : FP 5000 25

Product range : 36 KN (UTS)

Material : Aluminum Alloy

Material Grade : LM 6

Application : Overhead Line

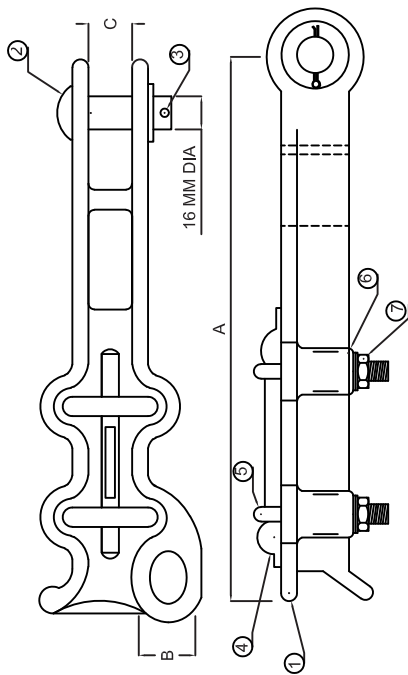
Approval : Saudi Electricity company

Finish : Shiny finish for body , Hot Dip galvanized as per ASTM A 123

Ordered by : Item Code

Straight line Dead–End Clamp

093



Conductor	Conductor Dia	Clamp Dimensions			UTS (KN)
		A	B	C	
QUAIL	11.34	210	25	19	36

Note | All Dimensions are in millimeters |

5

ALUMINUM CLAMPS

Straight line Dead –End Clamp (094)

Description: Strain clamp 2 U bolt type (MERLIN)

Item code : FP 5000 26

Product range : 45 KN (UTS)

Material : Aluminum Alloy

Material Grade : LM 6

Application : Overhead Line

Approval : Saudi Electricity company

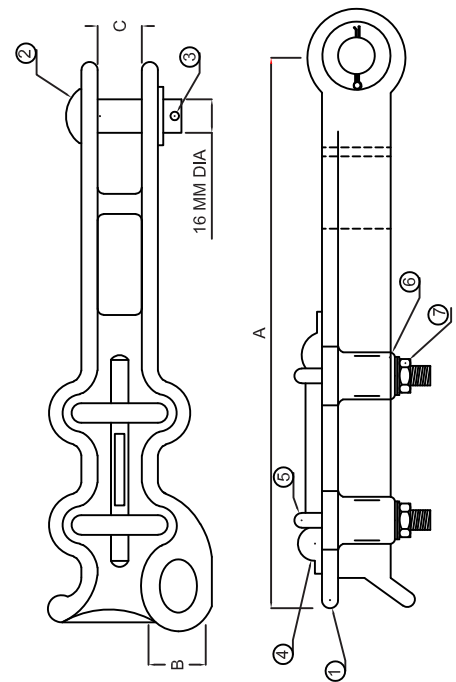
Finish : Shiny finish for body , Hot Dip galvanized as per ASTM A 123

Ordered by : Item Code



Straight line Dead-End Clamp

094



Conductor	Conductor Dia	Clamp Dimensions			UTS (KN)
		A	B	C	
MERLIN	14.31	210	25	19	45

ALUMINUM CLAMPS

Straight line Dead –End Clamp (096)

Description: Suspension clamp, 2 U bolt type (QUAIL)

Item code: FP 5000 27

Product range : 36 KN (UTS)

Material: Aluminum Alloy

Material Grade: LM 6

Application: Overhead Line

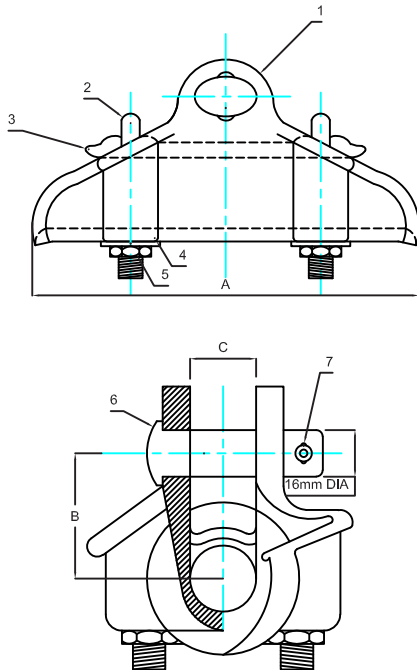
Approval: Saudi Electricity company

Finish: Shiny finish for body , Hot Dip galvanized as per ASTM A 123

Ordered by: Item Code

Straight line Dead–End Clamp

096



Conductor	Conductor Dia	Clamp Dimensions				UTS (KN)
		A	B	C	D	
QUAIL	11.34	146	55	19	12	36

Note | All Dimensions are in millimeters |

7

ALUMINUM CLAMPS

Straight line Dead-End Clamp (097)

Description: Suspension clamp, 2 U bolt type (QUAIL)

Item code: FP 5000 28

Product range: 45 KN (UTS)

Material: Aluminum Alloy

Material Grade: LM 6

Application: Overhead Line

Approval: Saudi Electricity company

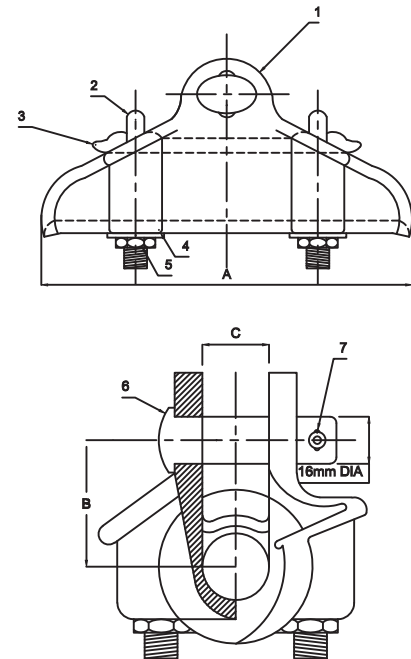
Finish: Shiny finish for body , Hot Dip galvanized as per ASTM A 123

Ordered by: Item Code



Straight line Dead-End Clamp

097



Conductor	Conductor Dia	Clamp Dimensions				UTS (KN)
		A	B	C	D	
QUAIL	17.35	190	65	25	12	45

ANGLES

Cross Arm (080)

Description: Cross Arm – L 100 x 100 x 12 x 2400 mm

Item code: FP 5000 01

Material: Mild Steel

Material Grade: ASTM A 36

Application: Overhead Line

Approval: Saudi Electricity company

Finish: Hot Dip galvanized as per ASTM A 123

Ordered by: Item Code

Cross Arm

080



Note | All Dimensions are in millimeters |

CHANELS

Fuse cut out Mounting channel for H pole (081)

Description: Fuse Cut Out Mounting Chanel for H pole

Item code: FP 5000 02

Material: Mild Steel

Material Grade: ASTM A 36

Application : Overhead Line

Approval: Saudi Electricity company

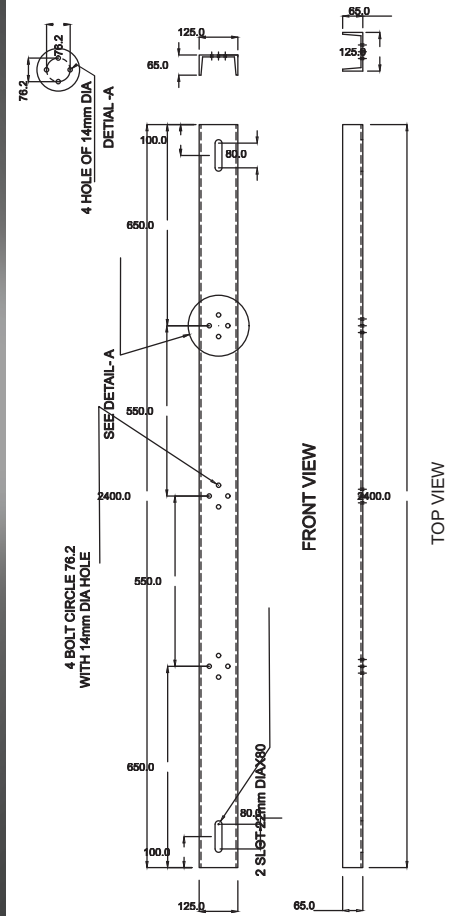
Finish: Hot Dip galvanized as per ASTM A 123

Ordered by : Item Code



Fuse cut out Mounting channel for H pole

081



CHANELS

Fuse cut out Mounting channel for H pole (211)

Description: Fuse Cut Out Mounting Chanel for Single pole

Item code: FP 5000 03

Material: Mild Steel

Material Grade: ASTM A 36

Application: Overhead Line

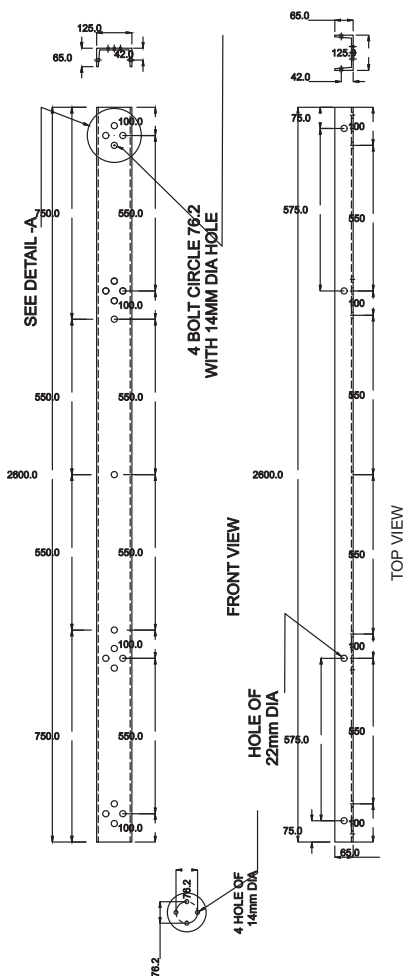
Approval: Saudi Electricity company

Finish: Hot Dip galvanized as per ASTM A 123

Ordered by : Item Code

Fuse cut out Mounting channel for H pole

211



Note | All Dimensions are in millimeters |

CHANNELS

Transformer Mounting Channel (082)

Description: Transformer mounting channel

Item code: FP 5000 04

Material: Mild Steel

Material Grade: ASTM A 36

Application: Overhead Line

Approval: Saudi Electricity company

Finish: Hot Dip galvanized as per ASTM A 123

Ordered by : Item Code



ANGLES

Brace Set for MV Pole (083)

Description: Brace set for MV poles , one end Clipped

Item code: FP 5000 05

Material: Mild Steel

Material Grade: ASTM A 36

Application: Overhead Line

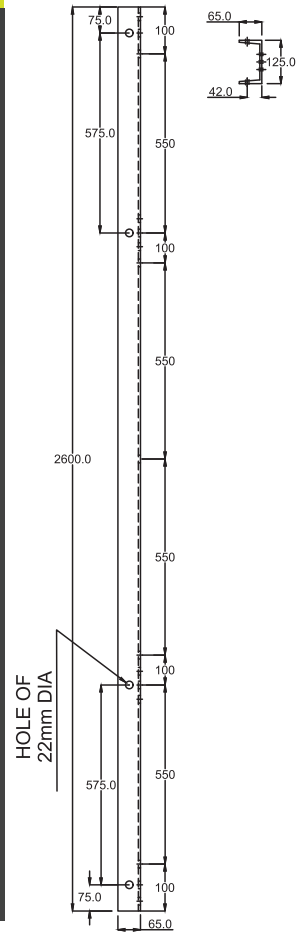
Approval: Saudi Electricity company

Finish: Hot Dip galvanized as per ASTM A 123

Ordered by : Item Code

Brace Set for MV Pole

083



ANGLES

Brace Set for Single Pole (228)

Description: Brace set for Single poles , Both end Clipped

Item code: FP 5000 06

Material: Mild Steel

Material Grade: ASTM A 36

Application: Overhead Line

Approval: Saudi Electricity company

Finish: Hot Dip galvanized as per ASTM A 123

Ordered by: Item Code



ANGLES

Suspension Support (067)

Description: Earthwire Suspension Support L 120 x 120 x 10 x 150

Item code: FP 5000 07

Material: Mild Steel

Material Grade : ASTM A 36

Application: Overhead Line

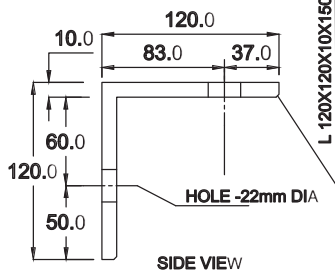
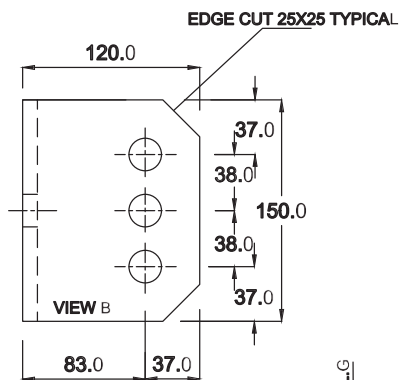
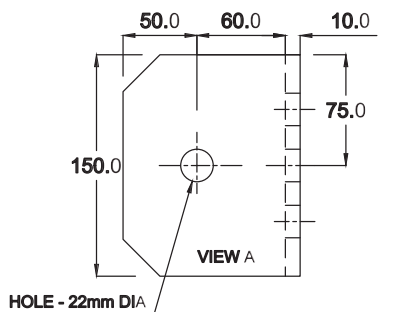
Approval : Saudi Electricity company

Finish: Hot Dip galvanized as per ASTM A 123

Ordered by : Item Code

Suspension Support

067



Note | All Dimensions are in millimeters |

ANGLES

Earth Wire Support (044)

Description: Earthwire Support Assembly (L 120 x 120 x 10 x 150 mm)

Item code: FP 5000 08

Material: Mild Steel

Material Grade: ASTM A 36

Application: Overhead Line

Approval: Saudi Electricity company

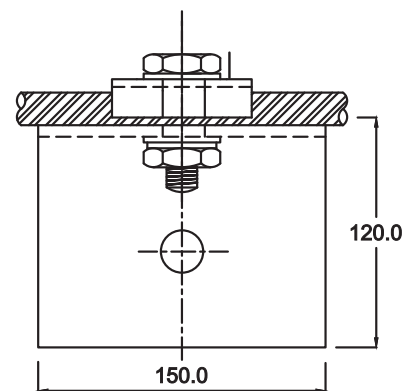
Finish: Hot Dip galvanized as per ASTM A 123

Ordered by : Item Code

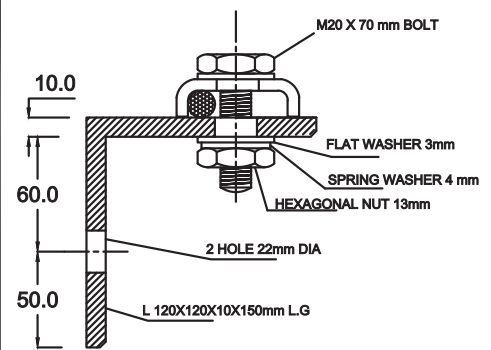


Earth Wire Support

044



SIDE VIEW



FRONT VIEW

Steel Plates

Double Arming plate (042)

Description: Double Arming Plate (100 x 12 x 700 mm)

Item code: FP 5000 09

Material : Mild Steel

Material Grade : ASTM A 36

Application: Overhead Line

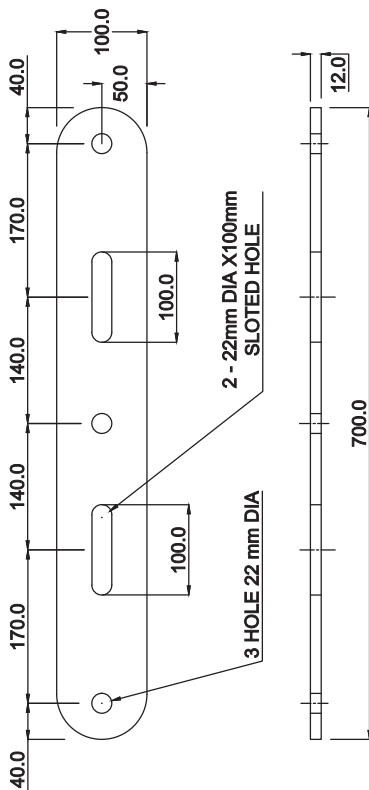
Approval : Saudi Electricity company

Finish: Hot Dip galvanized as per ASTM A 123

Ordered by : Item Code

Double Arming plate

042



Note | All Dimensions are in millimeters |

Steel Brackets

Mounting Bracket (084)

Description: Horizontal Insulator Mounting bracket

Item code: FP 5000 10

Material: Mild Steel

Material Grade: ASTM A 36

Application: Overhead Line

Approval: Saudi Electricity company

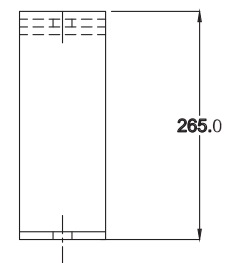
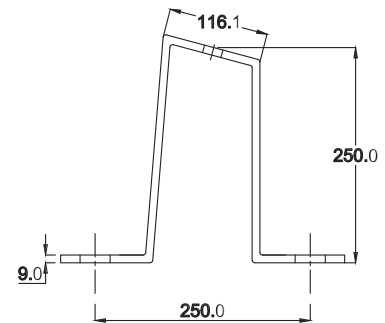
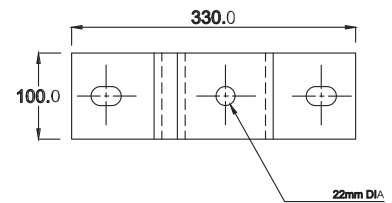
Finish: Hot Dip galvanized as per ASTM A 123

Ordered by : Item Code



Mounting Bracket

084



Steel Brackets

Spool Insulator Bracket(085)

Description: Spool Insulator bracket

Item code: FP 5000 11

Material: Mild Steel

Material Grade: ASTM A 36

Application: Overhead Line

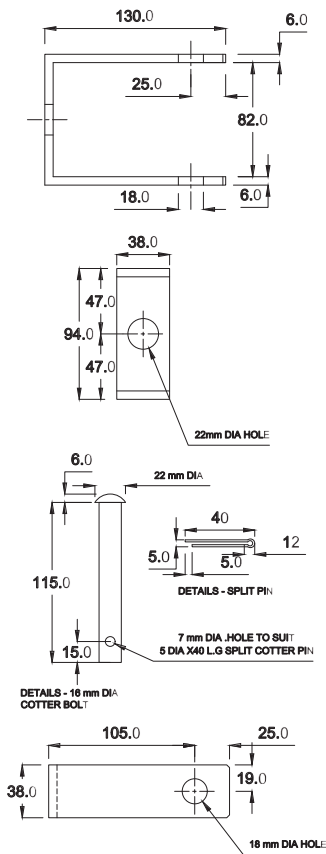
Approval: Saudi Electricity company

Finish: Hot Dip galvanized as per ASTM A 123

Ordered by : Item Code

Spool Insulator Bracket

085



Stay Clamp

Pole band Stay Clamp

Description: Pole Band Stay Clamp for octagonal Steel Poles

Item code: FP 5000 12,13,14,15,16,17

Material: Mild Steel

Material Grade: ASTM A 36

Application: Overhead Line

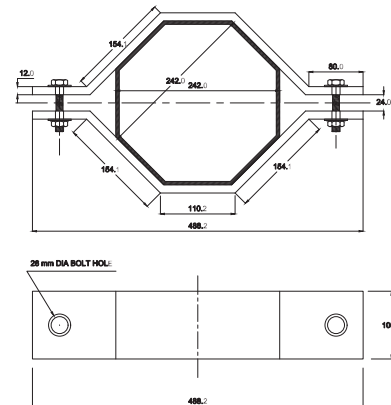
Approval: Saudi Electricity company

Finish: Hot Dip galvanized as per ASTM A 123

Ordered by : Item Code



Pole band Stay Clamp



SL No	ITEM CODE	Pole Band Across Flat (A/F) in mm
1	FP 5000 12	210
2	FP 5000 13	234
3	FP 5000 14	242
4	FP 5000 15	106
5	FP 5000 16	166
6	FP 5000 17	190

Locking Clip

Buckle locking clip(090)

Description: Buckle Locking clip for Barbed Wire

Item code : FP 5000 18

Material : Stainless Steel

Material Grade : 304

Application : Overhead Line

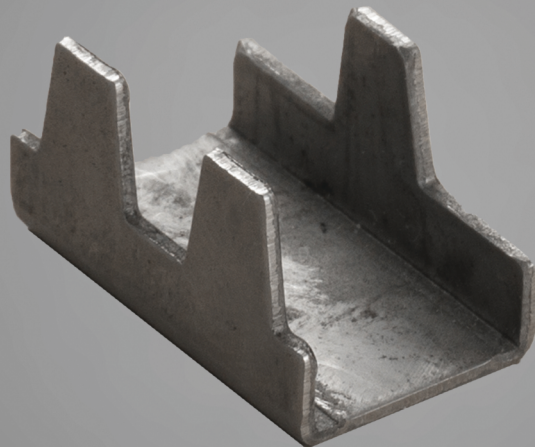
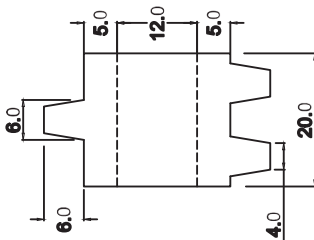
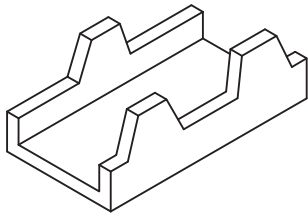
Approval : Saudi Electricity company

Finish : 2B finish.

Ordered by : Item Code

Buckle locking clip

090



Clevis

Clevis Eye Extension (186)

Description: Clevis Eye Extension

Item code : FP 5000 19

Material: Mild Steel

Material Grade: ASTM A 36

Application: Overhead Line

Approval: Saudi Electricity company

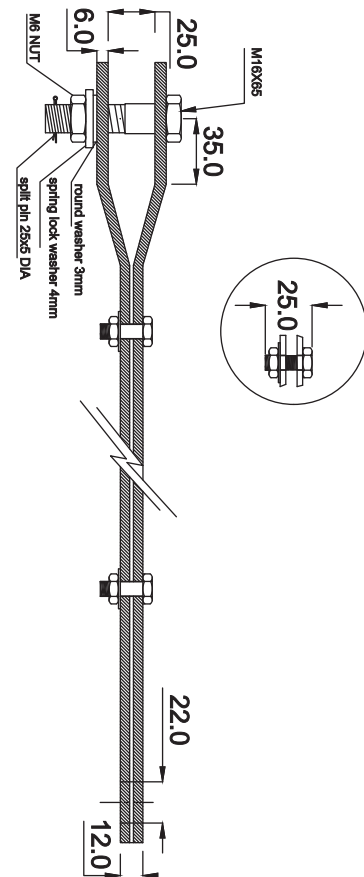
Finish: Hot Dip galvanized As per ASTM A 123

Ordered by : Item Code



Clevis Eye Extension

186



Steel Plates

Steel plate for Anchor Rod

Description: Steel Plates for Anchor rod

Item code : FP 5000 20 ,21 , 22

Material : Mild Steel

Material Grade : ASTM A 36

Application : Overhead Line

Approval : Saudi Electricity company

Finish : Hot Dip galvanized As per ASTM A 123

Ordered by : Item Code

SL No	ITEM CODE	Stay Plate Dimension	Stay Plate Hole Diameter
1	FP 5000 20	450x450x6 mm THK	18 mm
2	FP 5000 21	450x450x10 mm THK	22 mm
3	FP 5000 22	450x450x10 mm THK	26 mm



ALUMINUM CLAMPS

Steel Clamps

Description: Service Mast Clamp For 76 mm Dia. Steel Pipe.

Item code : FP 5000 31

Material : Mild Steel

Material Grade : ASTM A 36

Application : Overhead Line

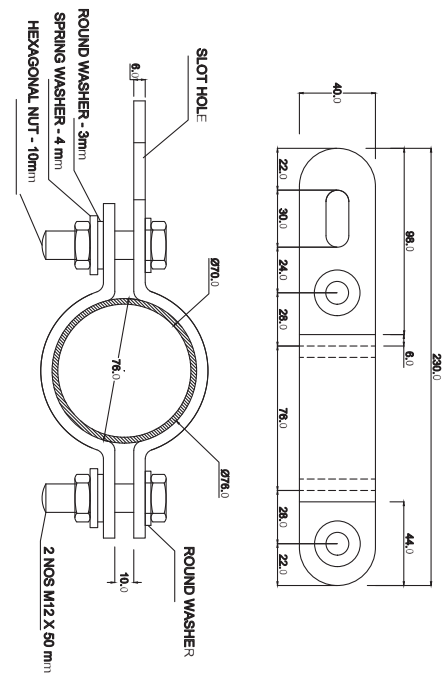
Approval : Saudi Electricity company

Finish : Hot Dip galvanized As per ASTM A 123

Ordered by : Item Code



Steel Clamps



ALUMINUM CLAMPS

Wall Support Steel Clamps

Description: Service Mast On Wall Support Clamp For 76 mm Dia.

Item code : FP 5000 32

Material : Mild Steel

Material Grade : ASTM A 36

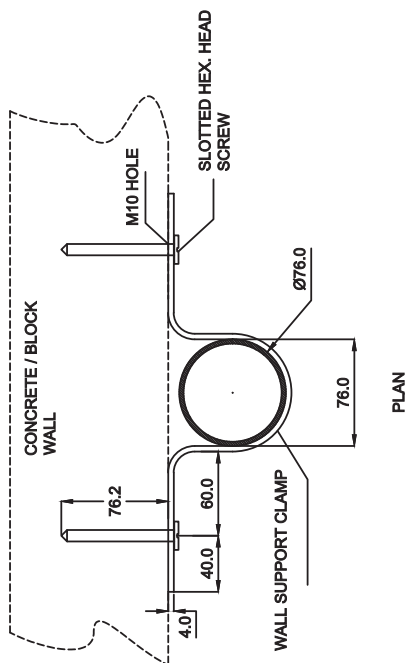
Application : Overhead Line

Approval : Saudi Electricity company

Finish : Hot Dip galvanized As per ASTM A 123

Ordered by : Item Code

Wall Support Steel Clamps



Steel Clamps

Through Wall Support Steel Clamps

Description: Service Mast Through Wall Support Clamp For 76 mm Dia.

Item code : FP 5000 33

Material : Mild Steel

Material Grade : ASTM A 36

Application : Overhead Line

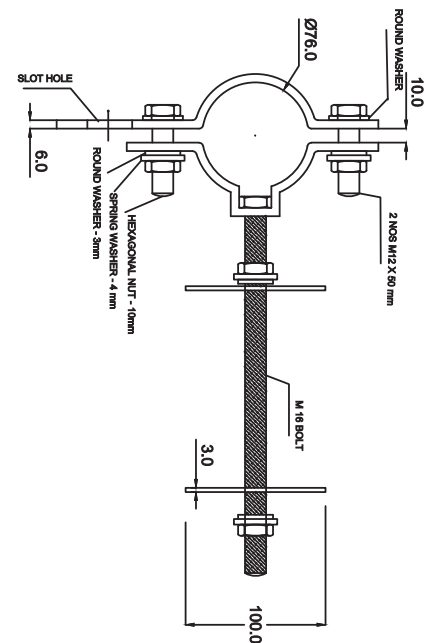
Approval : Saudi Electricity company

Finish : Hot Dip galvanized As per ASTM A 123

Ordered by : Item Code



Through Wall Support Steel Clamps



Steel Ladder

Description: Steel Ladder with cage & without cage.

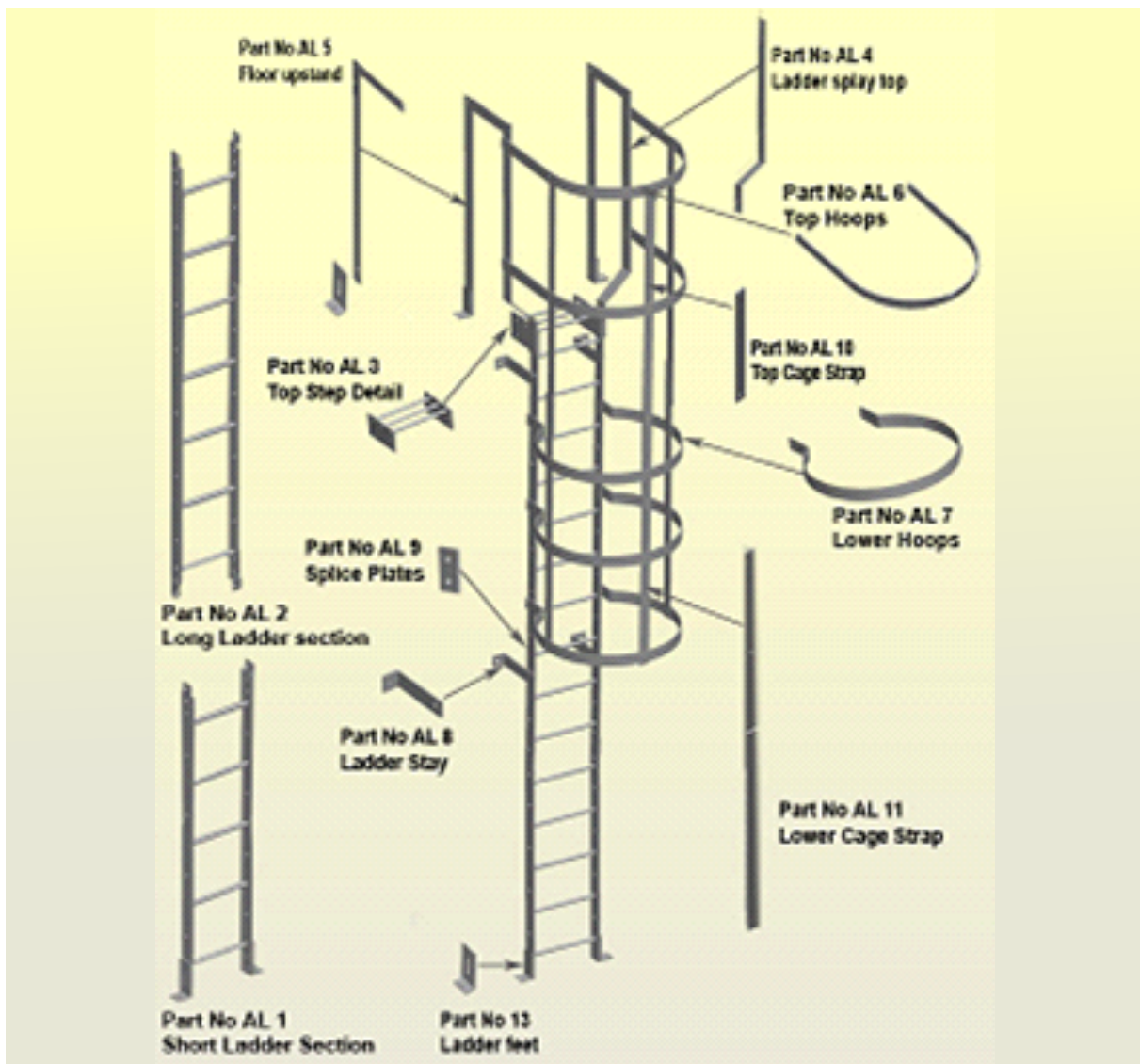
Item code: FP 5000 50

Material : Mild Steel

Material Grade : ASTM A 36

Application : Construction / power plant /housing

Finish : Hot Dip galvanized as per ASTM A 123



We are fabricating the cage ladder as per the Customer specification and project requirements .

Steel grating

Description: Steel Grating and Stare threads

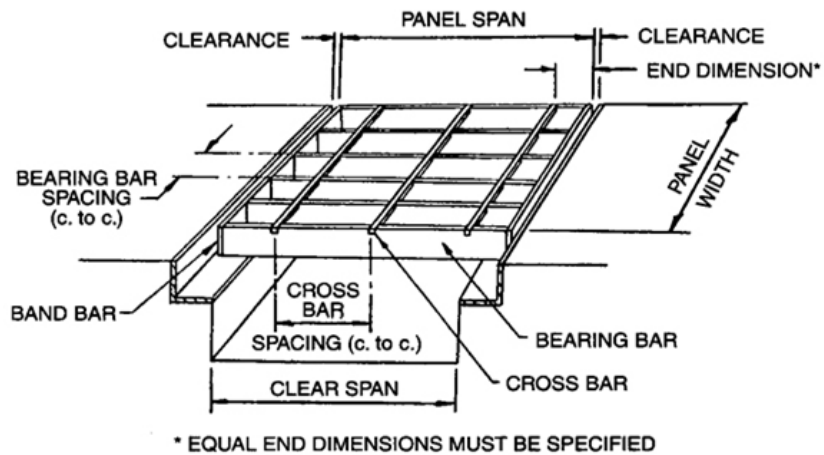
Item code : FP 5000 51

Material : Mild Steel

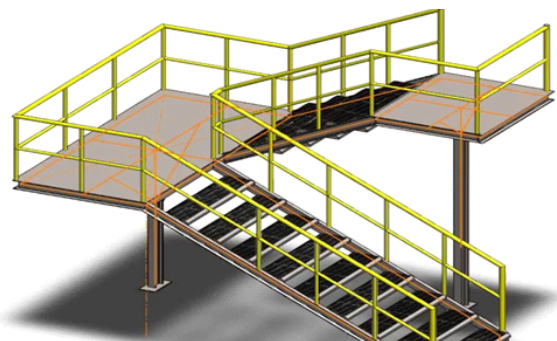
Material Grade : ASTM A 36

Application : Construction / power plant /housing/ refinery , etc

Finish : Hot Dip galvanized as per ASTM A 123



Different types and Shapes of gratings are available depending on the project requirement. Refer the below table for the sizes.



Customized stare thread and platforms with hand rails fabricating according to the site requirments.

Lifting Hook & brackets

Description: Lifting Hook & Brackets

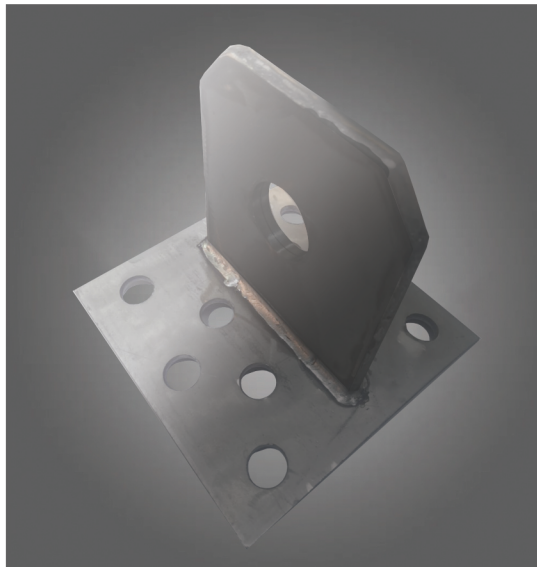
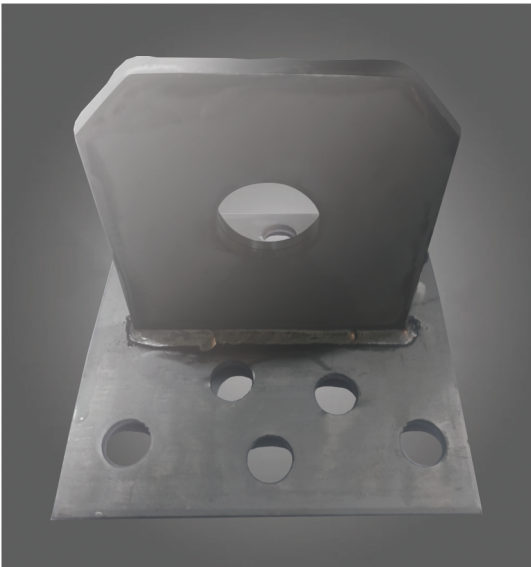
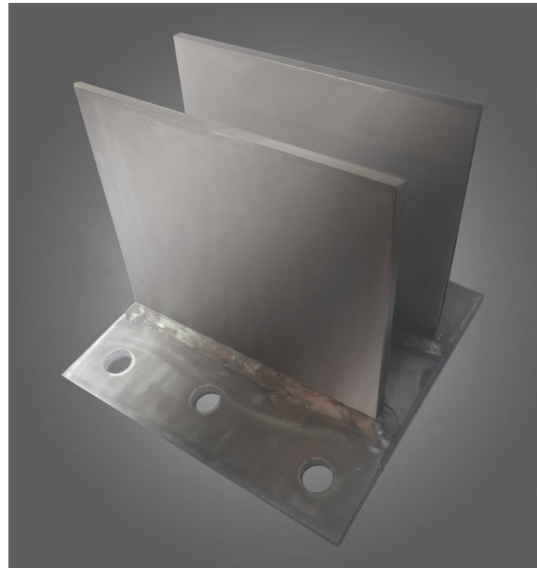
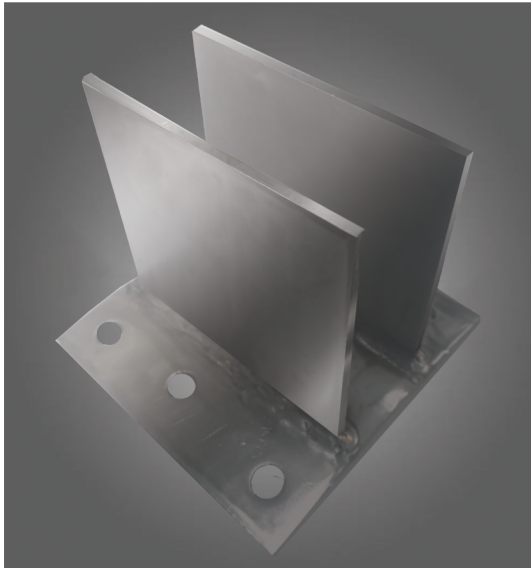
Item code : FP 5000 52

Material : Stainless Steel / Mild Steel

Material Grade : SS – 304 / ASTM A 36

Application : Storage tanks/Platforms/ steel structures , etc

Finish : Mill finish/2B/ Hot Dip galvanized / Painted.



Customised clamps and brackets are available on request or as per the customer specification.

SEAL LOCK

Description: Single piece Metallic high security seal lock

Item code : FP 5000 50/51/52/53

Product range: > 3.5 KN

Material: Iron, A3 wire rope

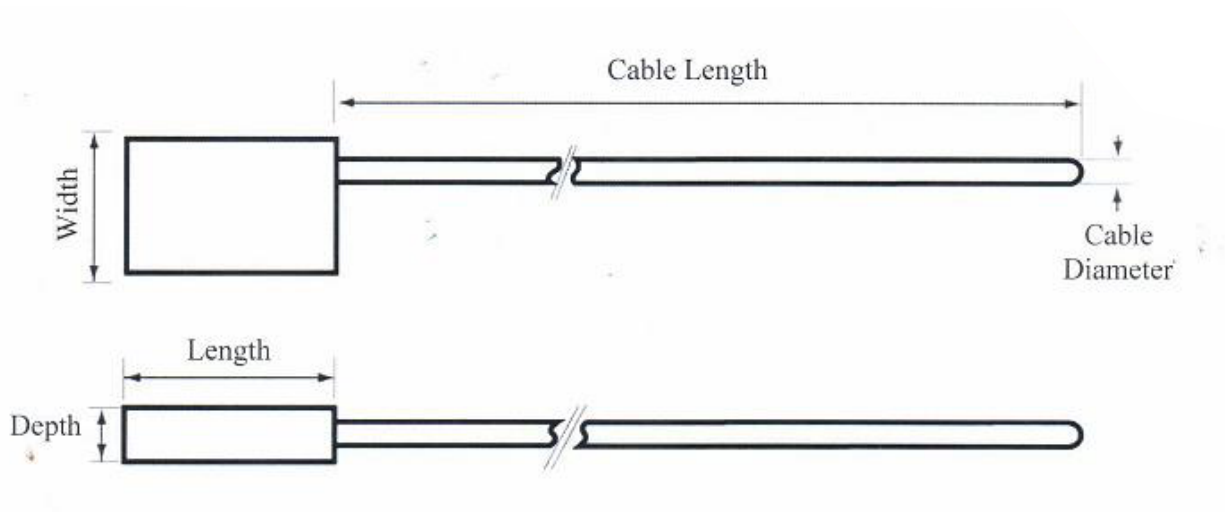
Color: Red, Green, Orange, Yellow, Blue

Application: Meter box, MCCB, CT, Containers, Supermarkets. Etc.

Cable Specification: 200 mm long x 4 mm dia. / 1.6 mm dia.

Paching Type: Laser Marking.

PACKING - 100 PCS / PLASTIC BAG, 1000 PCS / CARTON



Seal Application	Colour	Dimension (mm)	Cable Length (mm)	Cable Dia.(mm)
Meter Box, container, etc	Red	30x25x10	200	4.0
MCCB	Green	30x20x10	200	1.6
CT	Orange	30x20x10	200	1.6
Revenew meters	Yellow	30x20x10	200	1.6

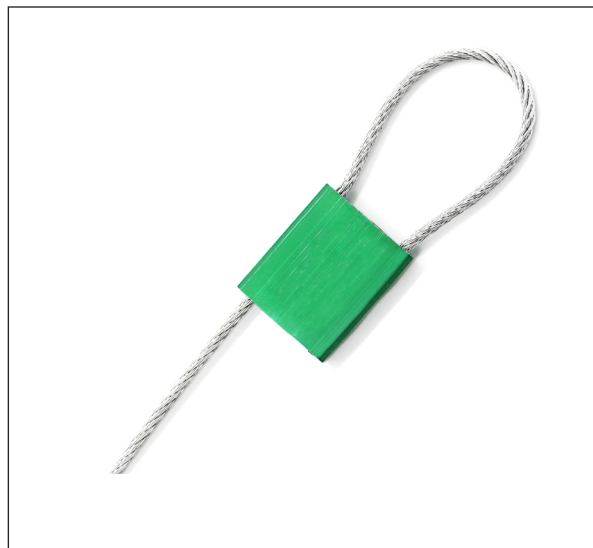
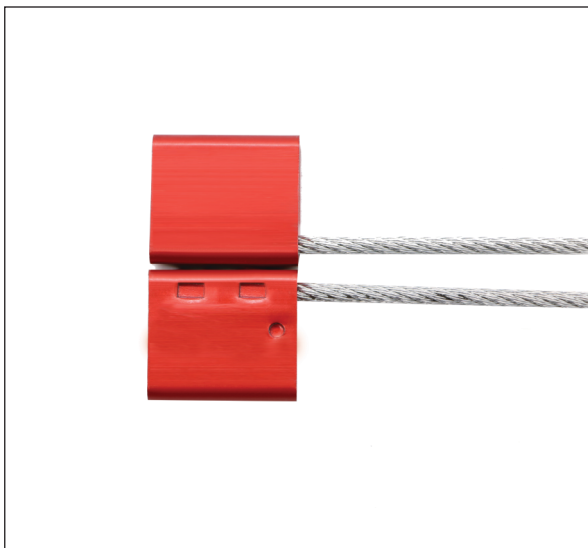
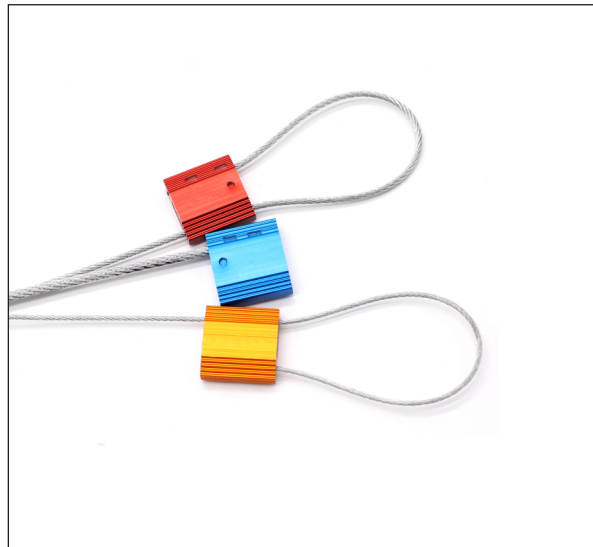


FP 5000 50 (RED)

FP 5000 52 (BLUE)

FP 5000 53 (YELLOW)

FP 5000 51 (Green)



CABLE LUGS

Cable Lug- copper

Description: Cable Lugs

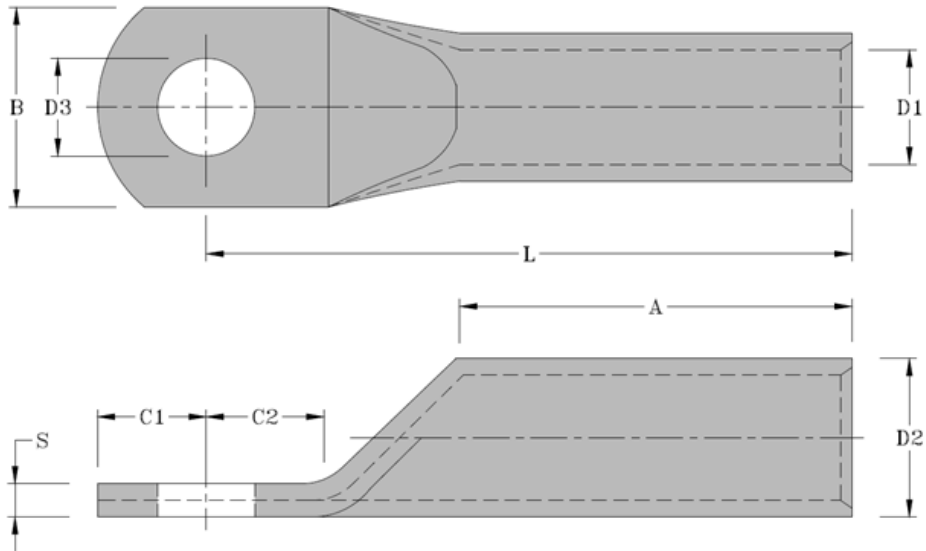
Item code : FP 5000 60

Material : Copper

Material Grade : E copper (EN 13600)

Application : Meterbox, electric cabinet, substations, distribution boxes ,etc.

Finish : Tin coating.



CONDUCTOR SIZE, mm ²	BOLT SIZE	DIMENSIONS, mm								
		A	B	C1	C2	D1	D2	D3	L	S
16	M10	20	17	15	12	5.5	8.5	10.5	36	2.5
35	M10	20	19	15	12	8.2	12.5	10.5	42	2.5
35	M12	20	21	16	13	8.2	12.5	13	42	2.5
50	M12	28	24	16	13	10	14.5	13	52	4.0
70	M12	28	24	16	13	11.5	16.5	13	55	4.5
120	M12	35	32	16	13	15.5	21	13	70	5.5
185	M12	40	37	16	13	19	25.5	13	82	6.0
185	M16	40	37	19	16	19	25.5	17	82	6.0
240	M12	40	42	16	13	21.5	29	13	92	6.5
240	M16	40	42	19	16	21.5	29	17	92	6.5
300	M12	50	48	16	13	24.5	32	13	100	7.0
300	M16	50	48	19	16	24.5	32	17	100	7.0
500	M12	70	60	25	20	31	42	13	125	10
500	M16	70	60	25	20	31	42	17	125	10

CABLE LUGS

Cable Lug- Aluminum

Description: Cable Lugs

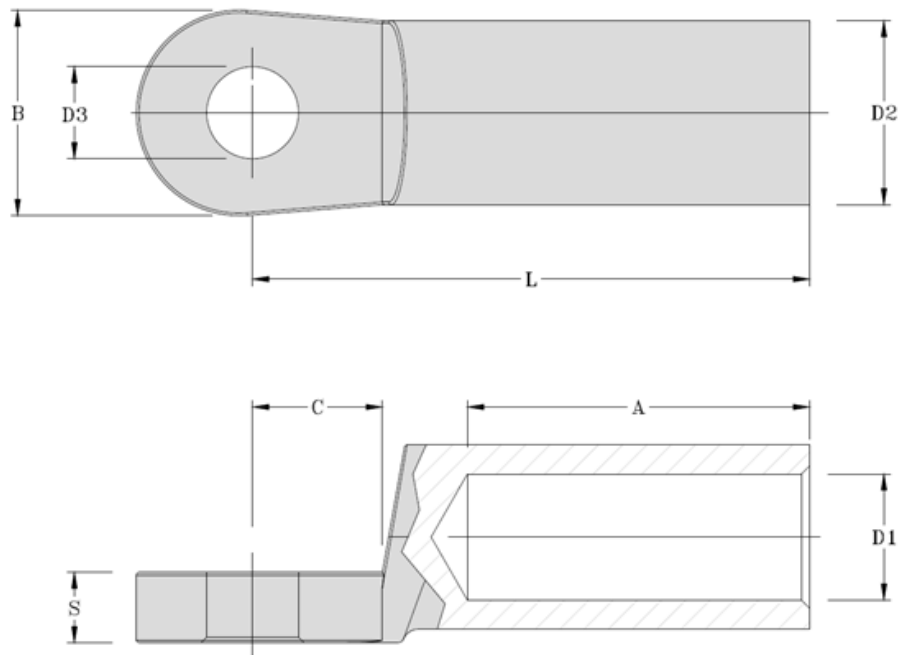
Item code : FP 5000 61

Material : Aluminum

Material Grade : E aluminum with 99.5% purity

Application : Meterbox, electric cabinet, substations, distribution boxes ,etc.

Finish : Tin coating.



CONDUCTOR SIZE, mm ²	BOLT SIZE	DIMENSIONS, mm							
		A	B	C	D1	D2	D3	L	S
70	M12	52	25	15.5	11.2	18.5	13	72	5.5
120	M12	56	30	20	14.7	23	13	80	7.5
185	M12	60	30	20	18.3	28.5	13	91	8
300	M12	70	38	24	23.3	34	13	103	13
300	M16	70	38	24	23.3	34	17	103	13
400	M12	73	38	24	26	38.5	13	116	14
400	M16	73	38	24	26	38.5	17	116	14
500	M12	79	44	24	29	44	13	122	15
500	M16	79	44	24	29	44	17	122	15
Quail (67.44)	M12	-	34	-	13.5	-	13	60	-
Merlin (170.5)	M12	-	41	-	20	-	13	105	-

CABLE LUGS

Cable Lug- 630 sqm.

Description: 4-Holes Terminal Lug for 630mm² Copper Conductors

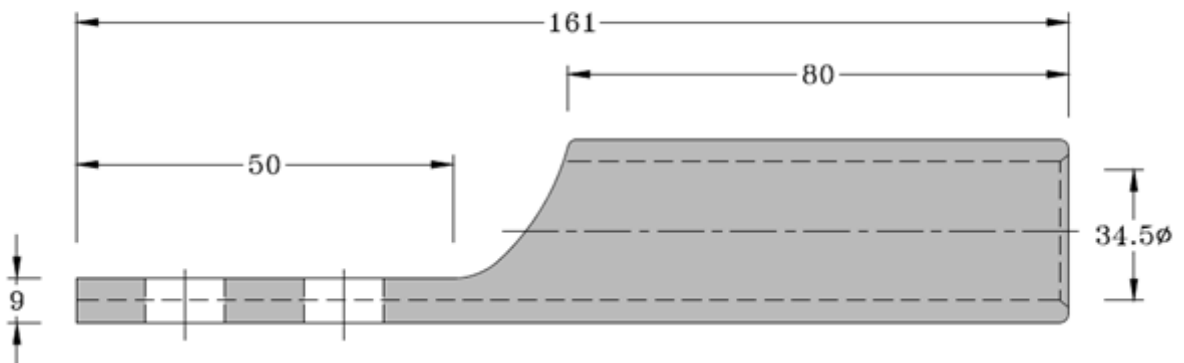
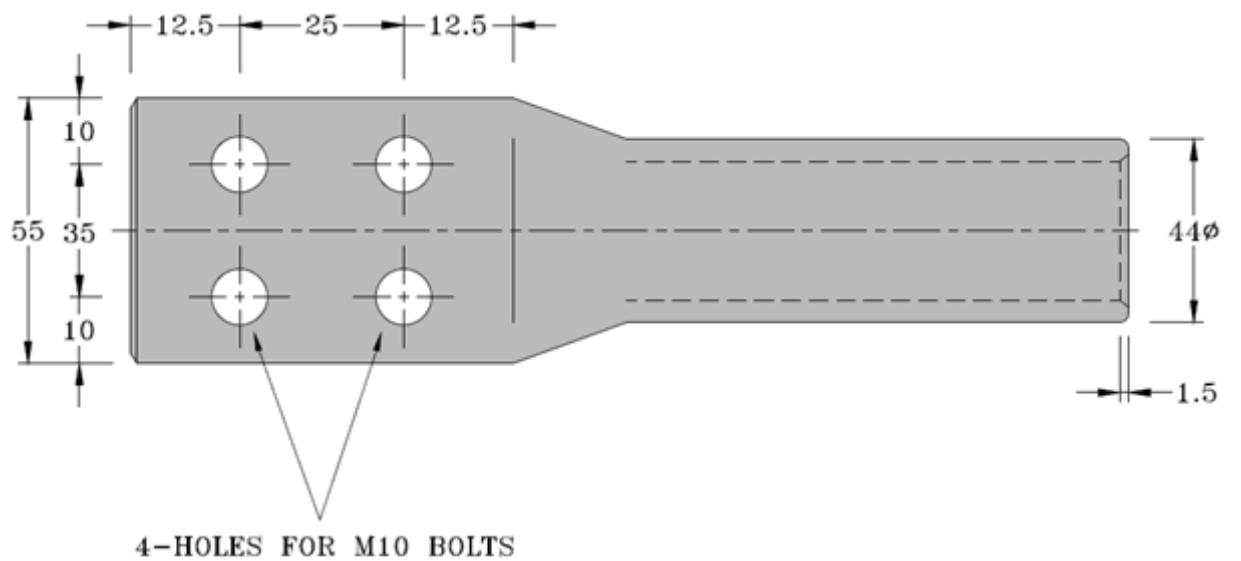
Item code : FP 5000 62.

Material : Copper.

Material Grade : E copper (EN 13600)

Application : Meterbox, electric cabinet, substations, distribution boxes ,etc.

Finish : Tin coating.



CABLE LUGS

Cable Lug- 2 hole

Description: 2-Holes Pad Terminal Lugs

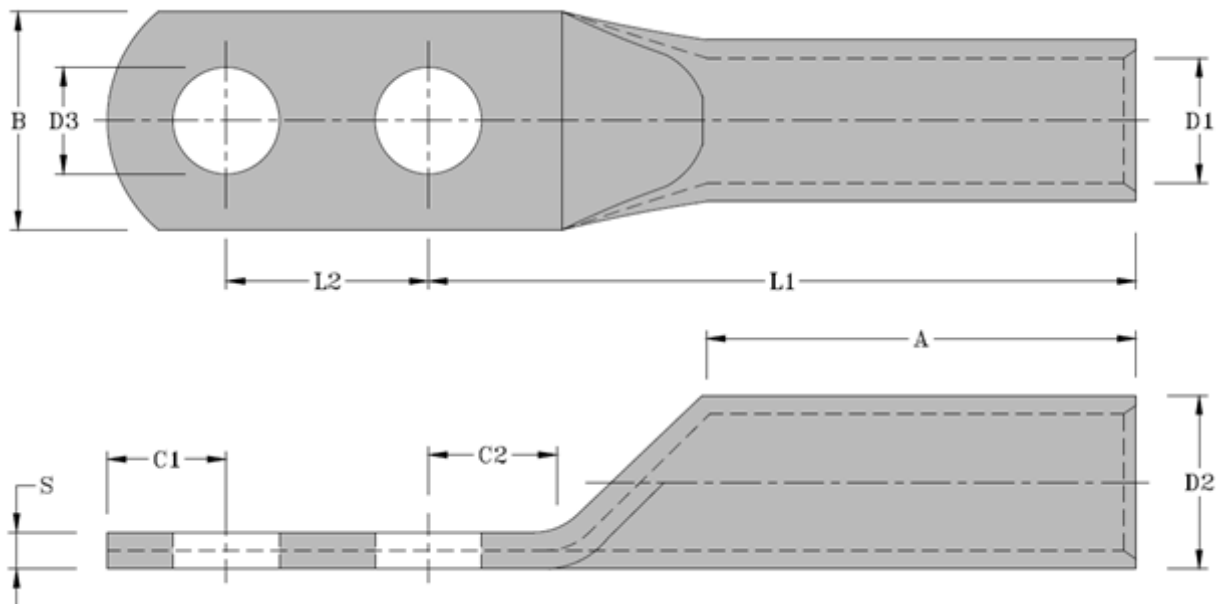
Item code : FP 5000 63

Material : Copper.

Material Grade : E copper (EN 13600)

Application : Meterbox, electric cabinet, substations, distribution boxes ,etc.

Finish : Tin coating.



CONDUCTOR SIZE, mm ²	MAT'L	BOLT SIZE	DIMENSIONS, mm									
			A	B	C1	C2	D1	D2	D3	L1	L2	S
185	Copper	M12	40	37	16	16	19	25.5	14.2	82	44.5	6
240	Copper	M12	40	42	16	16	21.5	29	14.2	92	44.5	6.5
300	Copper	M12	50	48	16	16	24.5	32	14.2	100	44.5	7

CABLE LUGS

Cable Lug- 4 hole

Description: 4-Holes Pad Terminal Lugs

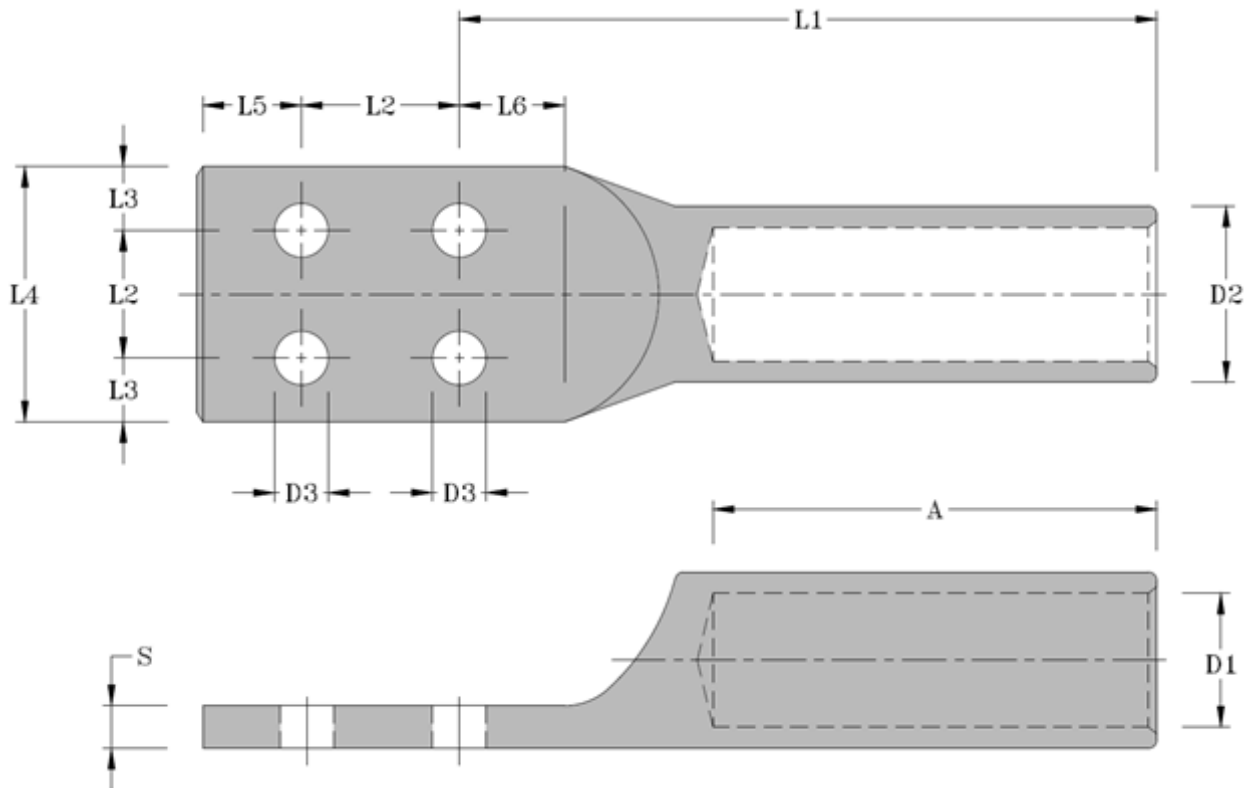
Item code : FP 5000 64

Material : Copper.

Material Grade : E copper (EN 13600)

Application : Meterbox, electric cabinet, substations, distribution boxes ,etc.

Finish : Tin coating.



CONDUCTOR SIZE, mm ²	MAT'L	BOLT SIZE	DIMENSIONS, mm										
			A	D1	D2	D3	L1	L2	L3	L4	L5	L6	S
500	Copper	M12	70	31	42	14.3	125	44.5	16	70	16	16	10

CABLE LUGS

Sleeve connectors

Description: Sleeve Connectors for Copper-to-Copper Conductors

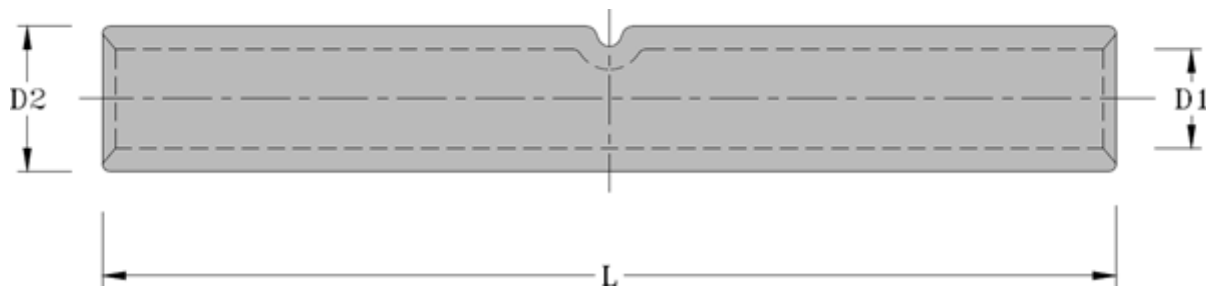
Item code : FP 5000 65

Material : Copper.

Material Grade : E copper (EN 13600)

Application : Coper to copper conductor joining

Finish : Tin coating.



SECTION, mm ²		DIMENSIONS, mm		
Copper	Copper	D1	D2	L
500	500	31	42	160
300	300	24.5	32	100
240	240	21.5	29	90
185	185	19	25.5	85
35	35	8.2	12.5	50

CABLE LUGS

Reduction Sleeve connectors

Description: : Reduction Sleeve Connectors for Copper-to-Copper Conductors

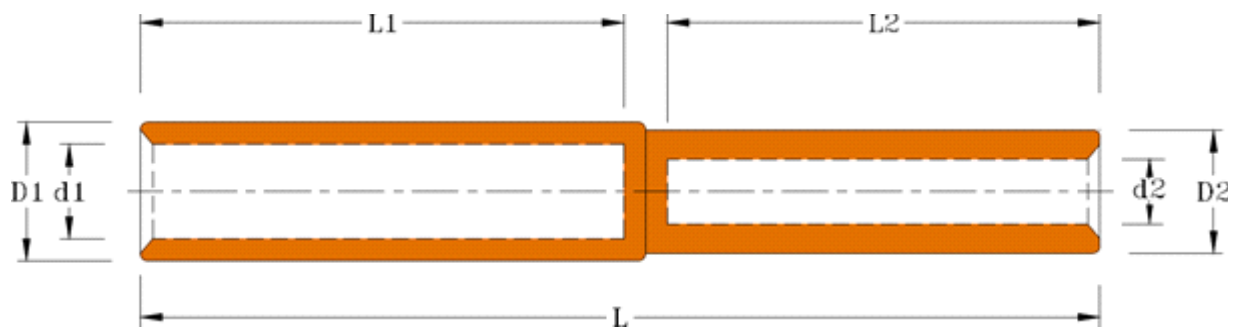
Item code : FP 5000 66

Material : Copper.

Material Grade : E copper (EN 13600)

Application : Coper to copper conductor joining with diff.size

Finish : Tin coating



SECTION, mm ²		DIMENSIONS, mm						
Copper	Copper	D1	d1	L1	D2	d2	L2	L
300	185	32	24.5	60	25.5	19	45	115

CABLE LUGS

Sleeve connectors-Aluminum

Description:Sleeve Connectors for Aluminum-to-Aluminum Conductors

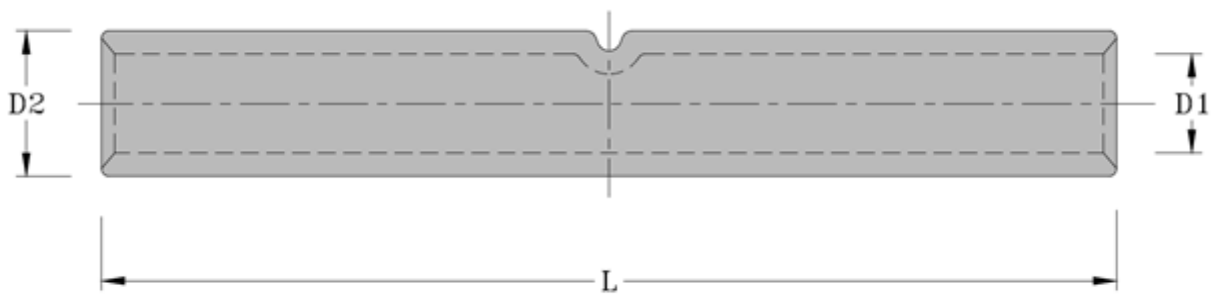
Item code : FP 5000 67

Material : Aluminum.

Material Grade : E Aluminum (99.5% purity)

Application : Conductor joining.

Finish : Tin coating.



SECTION, mm ²		DIMENSIONS, mm		
Aluminum	Aluminum	D1	D2	L
500	500	29	44	210
400	400	26	38.5	210
300	300	23.3	34	145
185	185	18.3	28.5	125
70	70	11.2	18.5	105
35	35	8	14	85

CABLE LUGS

Reduction Sleeve connectors-Aluminum

Description: Reduction Sleeve Connectors for Aluminum-to-Aluminum Conductors

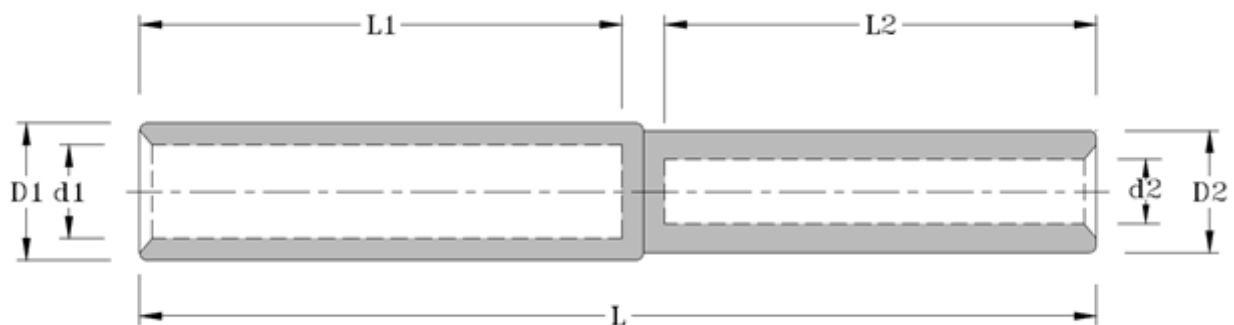
Item code : FP 5000 68

Material : Aluminum.

Material Grade : E Aluminum (99.5% purity)

Application : Conductor joining. With diff size.

Finish : Tin coating.



SECTION, mm ²		DIMENSIONS, mm						
Aluminum	Aluminum	D1	d1	L1	D2	d2	L2	L
300	300	44	29	105	34	23.3	73	215
500	150	34	23.3	73	25	16.3	63	155
185	120	28.5	18.3	63	23	14.7	56	130
185	95	28.5	18.3	63	22	13.2	56	130
120	70	23	14.7	56	18.5	11.2	53	120
95	70	22	13.2	56	18.5	11.2	53	110

Technogroup of Trade and Industries
63 Street, 2nd Industrial City, Dammam, KSA
Phone: 00966138123400
info@technogroupme.com
Sales@technogroupme.com